



halo

TIRE INFLATOR

Keep in vehicle

DRIVER GUIDE

INTRODUCTION

The Driver Guide provides an introduction to the Halo Tire Inflator and guidance on how to handle the most common situations that drivers encounter requiring interaction with the Halo.

WHAT IS THE HALO?

The Halo Tire Inflator™ is a completely mechanical, rotary pump, compatible with dual or wide-base tires on tractors and trailers. As an easy-to-install, bolt-on device, it can be mounted in 5-10 minutes per wheel-end and does not require connection to an onboard air compressor.

The Halo is not intended to replace regular pressure-checks and tire maintenance practices as specified by the FMCSA in their Compliance, Safety, Accountability (CSA) Program. Aperia encourages users to take care of their tires and Halos, both of which are important for their safety.



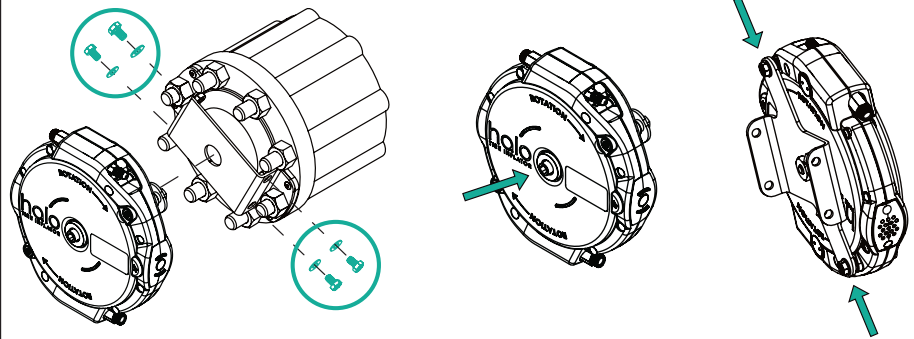
WHAT TO CHECK DURING PRE-TRIP INSPECTION

Please follow the steps below for each Halo and report any issues to the maintenance team.

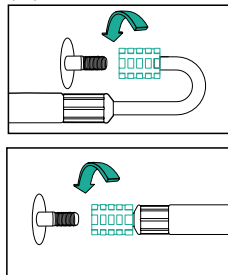
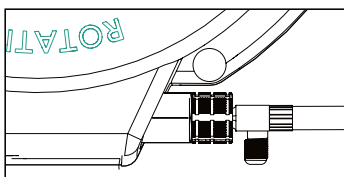
1. Visually check that there is no severe damage to the system.

This includes cracked, bent, melted, corroded, or shattered system components.

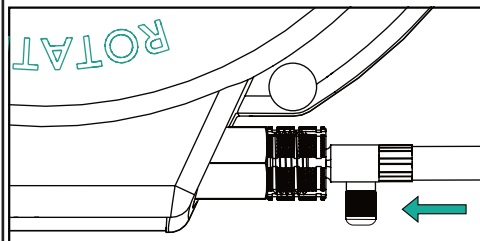
2. Check that all screws, washers, bolts, and nuts are present.



3. Visually check that the hose(s) are attached to Halo and tire valve stem(s).



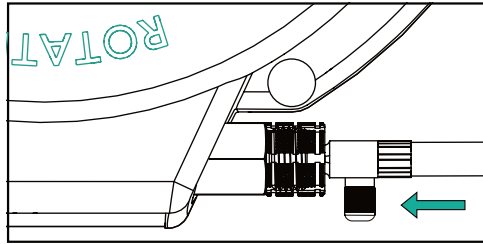
4. Measure tire pressure using the T-stem valve on the hose.



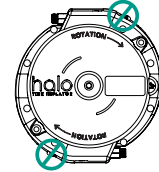
Do not operate the vehicle with a severely damaged system component, missing hardware, loose hoses or flat tires. Doing so will cause a safety risk.

HOW TO MEASURE TIRE PRESSURE

Use the T-stem valve on the hose to measure the tire pressure or deflate/inflate the tire manually.



Do not use the Aperia service port on the Halo to inflate a tire. This could lead to severe leaks.



WHAT TO DO DURING ROADSIDE CALLS

The Halo and hoses must be removed when a wheel is removed but the bracket can remain installed. If the technician is unfamiliar with the Halo show them the Roadside Removal Instructions in this packet or on the Aperia Literature Webpage www.aperiatech.com/literature.

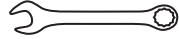
MORE INFORMATION

For more information please visit our website at www.aperiatech.com

TOOLS



Channel-lock pliers



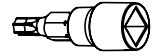
5/8" Wrench



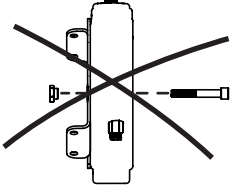
Socket wrench



1/2" Deep Socket



Security tool
T-40 security torx
(stored in vehicle)



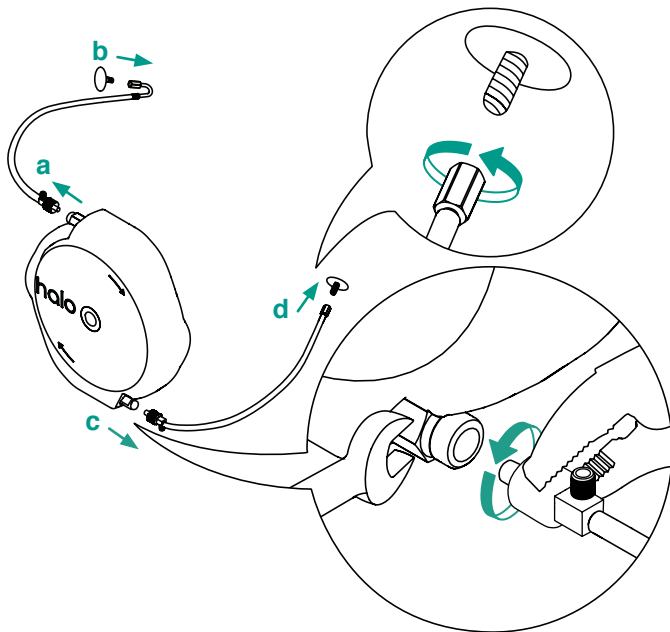
DO NOT remove center bolt

Need Help?

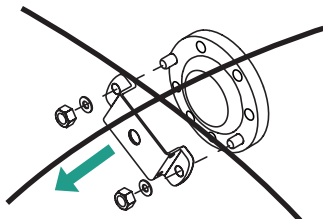
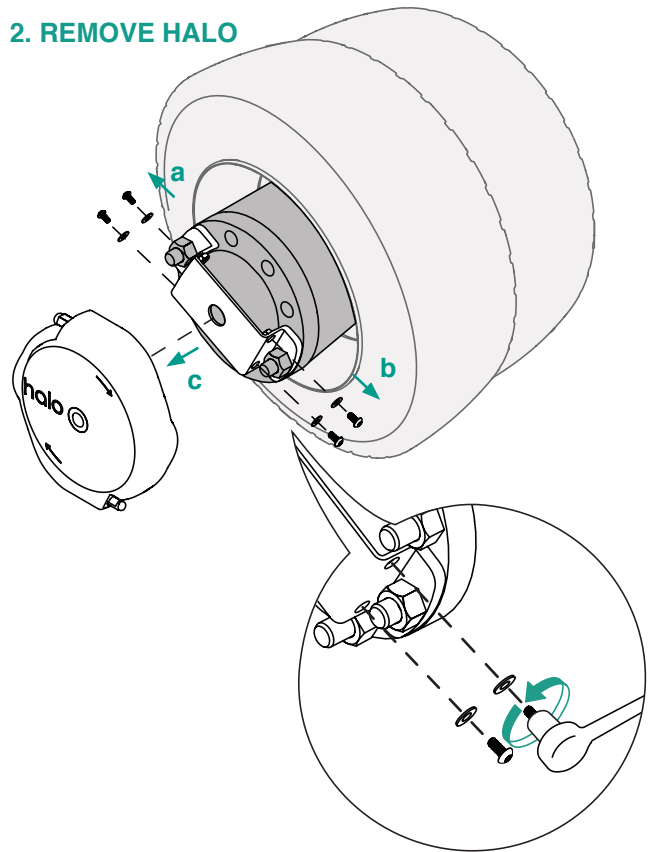


(650) - 741 - 3231

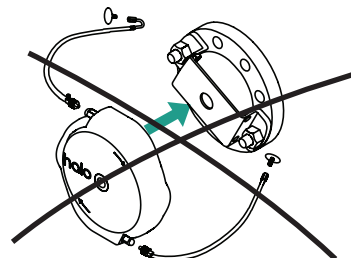
1. UNSCREW HOSES



2. REMOVE HALO



DO NOT remove bracket



DO NOT reinstall
until vehicle returns
to shop.

PN: 91-00006428 Rev. A

Aperia Technologies
3160 Corporate Place
Hayward, CA 94545 USA
Phone: (650) 741- 3231

©2018 Aperia Technologies

www.aperiatech.com

