

# halo

TIRE INFLATOR

## CHROME COVER INSTALLATION

### PARTS

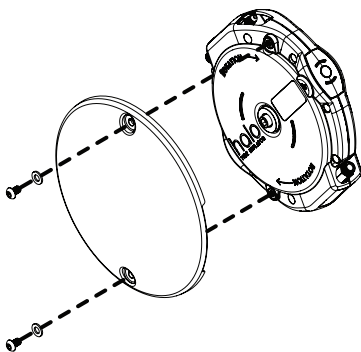


### REQUIRED TOOLS

Hex Key - size 3/16"

### INSTALLATION INSTRUCTIONS

- 1 Tighten to **15 ft-lb (20.3 N-m)** using a hex key.



For further assistance, contact technical support at 1 (650) 741-3231.

**Aperia**  
TECHNOLOGIES



91-00004989 A